

NUXX

ZEUS
ISOLATED POWER SUPPLY

©Cherub Technology Co., Ltd.

All Rights Reserved. No part of this publication may be reproduced, stored in a retrieval system, or transmitted, in any form or by any means, electronic, mechanical, photocopying, recording, or otherwise, without the prior written permission of Cherub Technology Co., Ltd.



Made in China

NIP-Z10
Isolated Power Supply





Safety Information



- Do not expose the device to liquids or moisture.
- Only use dry cloth to clean.
- Do not install close to any heat sources.
- Do not defeat the safety purpose of the polarized or grounding-type plug.
- Protect the power cord and pedal cables from being walked on or pinched.
- Only use the original attachments and accessories specified by NUX.
- During lightning storms or when unused for long periods of time, please unplug.
- Do not attempt to service the device by yourself, as opening or removing cover may expose you to dangerous voltage or another hazard.
- Servicing is required when the unit has been damaged in any way, such as a power cord or plug is damaged, liquid has been spilled or objects have fallen into the unit, the unit has been exposed to rain or moisture, does not operate normally, or has been dropped.
- Never push any object into the slots or openings on your unit enclosure.
- When connected to a power outlet, power is always flowing into your unit. To totally disconnect power, unplug the power cord.

Introduction

Zeus was the Greek god of the sky and thunder with his most famous power being the ability to throw lightning bolts. That's why we named our new power supply ~ ZEUS. Zeus provides 10 high current isolated DC power. Included are 10 isolated switching power transformers, offering a clean and stable power source for your pedals. These days, guitarists like to integrate digital post effects like Eventide®, Strymon®, ...etc. So, Zeus comes with 3 adjustable high current outputs (9V/500mA | 12V/300mA | 18v/200mA), and 1 adjustable high current output (6V~9V~12V). It means you can use Fuzz or Phaser with the adjustable output to find the best sound.

For gigging musicians, Zeus also includes a USB port for charging your mobile device. Zeus' universal AC power is supported worldwide for consistent AC usage not matter what country you're in. It's reliable and durable solution to power your pedals.

**All of the brand and model names mentioned on this page are Trademarks of their respective owners, which are in no way associated or affiliated with NUX Effects and Cherub Technology CO. LTD.*

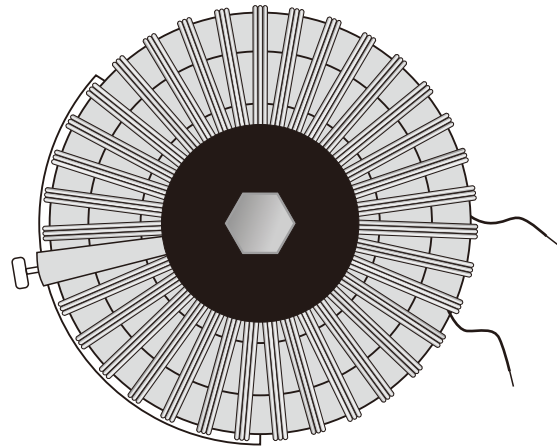
Background

As an established musical instrument brand, NUX is already well known for our pedals and multi-effects. Guitarists who use high gain distortion pedals tend to experience noise trouble with the power supply. The DC daisy-chain can drive several pedals, but the ground noise will occur easily especially while you connect analog pedals and digital pedals at the same time. To be an industry pioneer, NUX's mission has been to build a reliable, extreme-low-noise, light-weight, universal power, high current, all-isolated power supply.



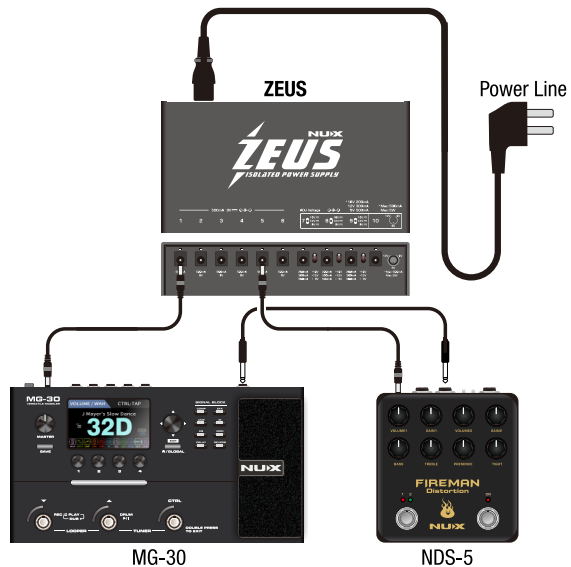
Ground Noise

Upon reviewing competing isolated power supplies, we found these main products used a "toroidal transformer". While this can offer clean power, it lacks in efficiency, weight, and size.



Toroidal transformer

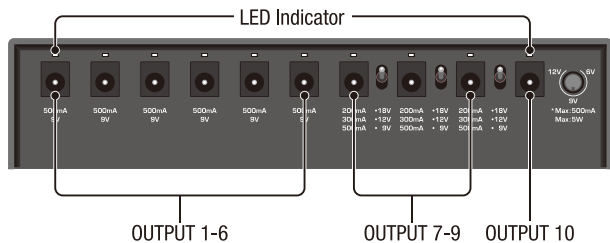
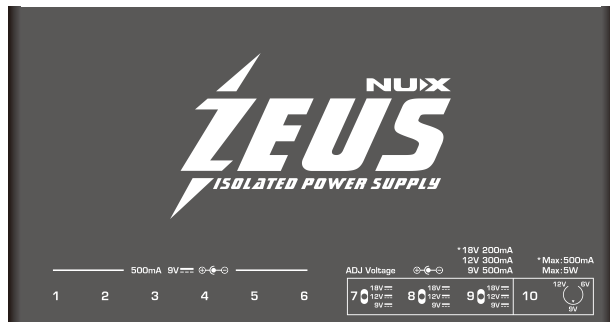
ZEUS is a reliable, extreme-low-noise, light-weight, universal power, high current, all-isolated power supply.



Overview

- 10 isolated outputs: 9V / 500mA x 6 , 9V/12V/18V adjustable x 3, 6V~12V tweakable x 1.
- USB 5V / 1.5A for Pad.
- Dual-isolated for noise-free operation.
- Working status LED indicator illuminates green when DC cable plug in.
- 100~240V universal AC power in.
- Over-heating protection.
- Over-current protection.
- Compact size with light weight & power efficiency.

Control Panel



OUTPUT 1-6

2.1mm DC out with 9V / 500ma.

OUTPUT 7-9

2.1mm DC outs with adjustable toggle switch. 9V at 500mA / 12V at 300mA / 18V at 200mA.

OUTPUT 10

2.1mm DC out with tweakable potential meter. You can adjust it from 6V ~ 12V. For some popular Fuzz or Phaser pedals, adjusting the voltage creates the best sound.

LED Indicator

- (1) No DC cable connection: OFF
- (2) DC cable is connected and the output works properly: GREEN
- (3) DC cable is connected with ERROR: GREEN FLASH (ERROR: Short, Overload)

Rear Panel



AC POWER INPUT

Please use appropriate IEC cable.

USB PORT

Offers 5V / 1.5A for Pad or mobile devices.

Included Accessories

DC LINK CABLE

2.1mm barrel connectors—right-angle to straight ends.
Length: 50cm 5PCS



DC LINK CABLE

2.1mm barrel connectors—right-angle to straight ends.
Length: 30cm 5PCS



REVERSE POLARITY CABLE

2.1mm right-angle.
Length: 50cm 1PCS



3.5mm mini plug cable

Right-angle.
Length: 50cm 1PCS



HX CURRENT DOUBLER ADAPTOR

2 x 2.1mm jack to 2.5mm right-angle plug.
Length: 10cm 1PCS



IEC power chord

The power chord is related to your location.

CN



AU



UK



US



EU



Specifications

- AC Power Input: 100~240V AC 50/60 Hz
- DC Outputs: 9V / 500mA x 6, 9V/12V/18V adjustable x 3, 6V~12V tweakable x 1, USB 5V / 1.5A for Pad.
- Dimensions: 195mm(L) x 101mm(W) x 42mm(H)
- Weight: 658g

* Specification may change without notice.

Warning

To reduce the risk of fire or electric shock, do not expose this appliance to rain or moisture.

FCC Warning

This device complies with part 15 of the FCC Rules. Operation is subject to the following two conditions: (1) this device may not cause harmful interference, and (2) this device must accept any interference received, including interference that may cause undesired operation.

Any changes or modifications not expressly approved by the party responsible for compliance could void the user's authority to operate the equipment.

Note: This equipment has been tested and found to comply with the limits for a Class B digital device, pursuant to Part 15 of the FCC Rules. These limits are designed to provide reasonable protection against harmful interference in a residential installation. This equipment generates, uses and can radiate radio frequency energy and, if not installed and used in accordance with the instructions, may cause harmful interference to radio communications. However, there is no guarantee that interference will not occur in a particular installation.

If this equipment does cause harmful interference to radio or television reception, which can be determined by turning the equipment off and on, the user is encouraged to try to correct the interference by one or more of the following measures:

- Reorient or relocate the receiving antenna.
- Increase the separation between the equipment and receiver.
- Connect the equipment into an outlet on a circuit different from that to which the receiver is connected.
- Consult the dealer or an experienced radio/TV technician for help. The device has been evaluated to meet general RF exposure statement. The device can be used in portable exposure condition without restriction.

The device has been evaluated to meet general RF exposure requirement. The device can be used in portable exposure condition without restriction.



重要安全信息

- 切勿让本产品暴露在雨、雪或其他潮湿环境中。
- 只能用干布擦拭本产品。
- 切勿在热源附近使用本产品。
- 切勿破坏带极性或接地类型插头的安全功能。
- 切勿踩踏或挤压电源线以及效果器电源线。
- 仅限使用NUX（纽克斯）指定的附件或配件。
- 雷电发生时或长时间不使用本产品时，请拔下本产品的电源插头。
- 切勿尝试自行维修本产品，因为打开或移除外壳可能会让您接触到危险电压或其他危险。
- 由专业人员进行维护。如果本产品损坏，必须进行维修，比如电源线或插头损坏，液体溅到或物体落入本产品，产品遭受雨淋或受潮，不能正常工作或曾跌落等情况。
- 永远不要将任何异物推入本产品外壳上的插槽或开口中。
- 当连接到电源插座时，电流始终流入您的设备。为完全断开电源，请拔掉电源线。

在古老的希腊神话中，“宙斯（ZEUS）”是掌管天空和雷电的神祇，他最著名的能力就是投掷闪电。在这里，ZEUS则是我司推出的一款具有10路全独立输出的效果器电源，每一路都带独立的开关电源变压器能够为效果器提供干净的直流电。当下越来越多的吉他手喜欢使用诸如Eventide®、Strymon®等品牌的数字后级效果器，ZEUS有3路可调电压输出可以完美适配这些效果器，此外ZEUS还具有一路专为法兹效果器或相位效果器预留的6V~12V可调输出。

对跑场乐手而言，ZEUS还提供了一个USB充电接口为您的移动设备充电。ZEUS兼容100V~240V市电输入，无论您身处何处，ZEUS总能为您的效果器提供稳定、可靠、纯净的电源。

*本说明书中所提及的产品名称、注册商标和公司名称属于其各所有者，与纽克斯效果器或深圳市蔚科电子科技开发有限公司无任何关联或附属关系。提及仅用于功能或特性说明，而非侵犯其所有者的各项权利。

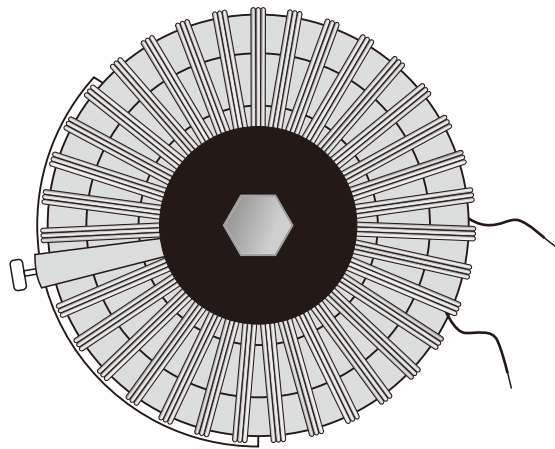
背景知识

作为一个业界知名的品牌，NUX旗下的效果器及综合效果器被人们所熟知。使用高增益失真效果器的吉他手通常会遇到电源噪音问题。使用常见的一拖多电源线的好处是能够同时为多个效果器供电，但同时为模拟效果器和数字效果器供电时，接地噪音很容易发生。作为业界先锋，我们有必要开发一款具有可靠、极低噪音、轻便、通用、高电流、全独立供电等特点的效果器电源。



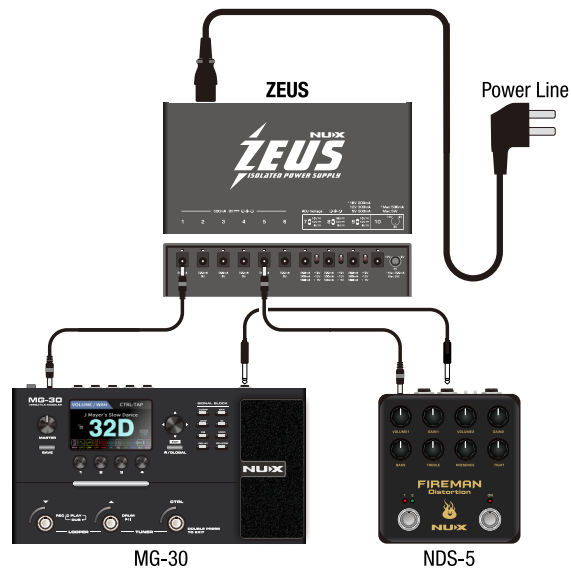
易产生接地噪音

经调查，友商出品的独立供电效果器电源多数采用的是“环形变压器”，虽然能够提供纯净的电流但在转换效率、产品重量和体积方面存在不足。



环形变压器

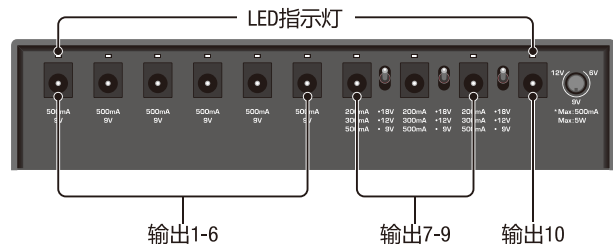
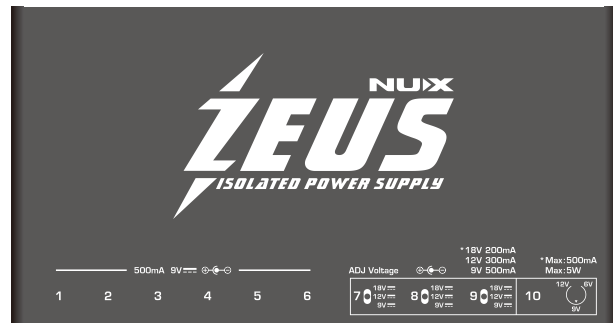
ZEUS是一款可靠、极低噪音、轻便、通用、高电流、全独立供电的效果器电源。



产品特点

- 10路独立供电输出，包括6路9V/500mA输出，3路可变电电压（9V, 12V, 18V）输出，1路6V~12V可调输出。
- USB5V/1.5A输出。
- 双重隔离电路，零噪声。
- 工作状态指示灯。
- 兼容100V~240V输入电压。
- 过热保护。
- 过流保护。
- 尺寸紧凑、重量轻、能效高。

前面板



输出1-6

标准2.1mm效果器电源输出接口，输出9V/500mA直流电。

输出7-9

标准2.1mm效果器电源输出接口，输出电压（9V、12V、18V）三档可调。输出电压为9V时，输出电流为500mA；输出电压为12V时，输出电流为300mA；输出电压为18V时，输出电流为200mA。

输出10

标准2.1mm效果器电源输出接口，输出电压可调节范围为6V~12V。使用某些法兹效果器或相位效果器时，调节输出电压可以使音色更佳。

LED指示灯

- 无直流电缆连接：LED指示灯熄灭。
- 直流电缆已连接且输出正常：LED指示灯亮绿色。
- 直流电缆连接错误：LED指示灯闪烁绿色（错误：短路，过载）。

后面板



市电输入接口

请使用附赠的IEC电源线将ZEUS接入市电。

USB输出接口

标准USB电源输出接口，输出5V/1.5A直流电，可为手机或平板电脑充电。

标准配件

标准效果器电源线

长度: 50cm 5根



标准效果器电源线

长度: 30cm 5根



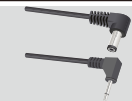
极性反转效果器电源线

长度: 50cm 1根



3.5mm迷你供电电源线

长度: 50cm 1根



HX电流加倍转换器

长度: 10cm 1根



IEC市电电源线

插头类型因国家或地区而异。

中式



澳式



英式



美式



欧式



- 市电输入接口：兼容100V-240V 50/60Hz交流市电输入。
- 直流输出接口：6路9V/500mA输出，3路可变电电压（9V、12V、18V）输出，1路6V~12V可调电压输出。
- USB5V/1.5A输出。
- 产品尺寸：195mm(L) x 101mm(W) x 42mm(H)
- 产品重量：658g

*技术规格如有变更恕不另行通知。

有关产品中所含有害物质的说明

为了控制和减少电器电子产品废弃后对环境造成的污染，本资料就本公司产品中所含的特定有害物质及其安全性予以说明。

本资料适用于2016年7月1号以后本公司所制造的产品。

环保使用期限



此标志适用于在中国国内销售的电子信息产品，表示环保使用期限的年数。所谓环保使用期限是指在制造日起的规定期限内，产品中所含的有害物质不致引起环境污染，不会对人身、财产造成严重的不良影响。环保使用期限仅在遵照产品使用说明，正确使用产品的条件下才有效。不当的使用，将会导致有害物质泄漏的危险。

产品中有害物质的名称及含量

部件名称		有害物质					
		铅(Pb)	汞(Hg)	镉(Cd)	六价铬(Cr(VI))	多溴联苯(PBB)	多溴二苯醚(PBDE)
主体	塑胶件	○	○	○	○	○	○
	五金件	×	○	○	○	○	○
	硅胶件	○	○	○	○	○	○
	内置电路板	×	○	○	○	○	○
附件	*交流电源适配器、线缆	×	○	○	○	○	○

*表示某些产品可能不含有这些项目，上表当中的信息仅在产品含有这些项目时适用。

本表格依据SJ/T 11364的规定编制。

○：表示该有害物质在该部件所有均质材料中的含量均在GB/T 26572规定的限量要求以下。

×：表示该有害物质至少在该部件的某一均质材料中的含量超出GB/T 26572规定的限量要求，因根据现有的技术水平，还没有什么物质能够代替它。

保护环境

如果需要废弃本产品，请遵循本地相关指引，请勿随意丢弃或作为生活垃圾处理，以避免对环境造成污染。

质量承诺

亲爱的NUX用户：

在您使用NUX产品时，请仔细阅读产品说明书，当您有疑问和困难时，请拨打售后服务热线：**400-990-9866**

- 一周内出现质量问题可退货退款
- 一年内出现质量问题可免费维修
- 一月内出现质量问题可调换
- 终身享有咨询和维修服务

[请向销售商索取正规发票并予以保存]

换修政策

一、包换政策：

- 1、消费者通过正规授权渠道购买的产品，自购机之日起1个月之内，在正常使用情况下出现非人为的产品性能故障、且产品外观及包装保持完好，可向所购机的经销商换机。
- 2、消费者在换机时应出示由经销商开出的购机凭证，否则经销商可以不予更换。

二、保修政策：

- 1、消费者通过正规授权渠道购买的产品(以发票所示销售方为准)，自购买之日起1年内，若出现非人为损坏的性能故障，可享受免费维修服务。
- 2、对于超过1年或人为及不可抗力因素造成损坏的产品，我司可提供有偿维修服务。

*本售后政策仅适用于中国大陆地区，其它国家及地区以当地售后政策及法律法规为准。

售后服务地址

广东省珠海市高新区唐家湾镇科技九路10号 邮编:519085
珠海市蔚科科技开发有限公司 售后服务部

制造商: 深圳市蔚科电子科技有限公司

制造商地址: 深圳市南山区蛇口兴华路6号南海意库1号楼507

电话: 0755-2686 9866

网址: www.nuxefx.com

生产商: 珠海市蔚科科技开发有限公司

生产商地址: 珠海市高新区唐家湾镇科技九路10号

电话: 0756-3689 866

合格证

Certificate

检验员
Inspector

名称
Name

效果器电源

生产日期
Date

型号
Type

NIP-Z10

本产品经检验合格
This product is inspected and approved.

执行标准: Q/WKDZ 001-2020
Product is certificated with Q/WKDZ 001-2020